





Pacific Regenerative Blowers are available in either single stage or double stage configurations. Single stage refers to the blower having one impeller and double stage refers to the blower having two impellers.

Pacific Regenerative Blowers are made with the utmost quality. The impeller is directly connected to the motor shaft, therefore eliminating any need for pulleys and belts.

The following options are also available:

- **E (Explosion Proof) Series** - featuring explosion-proof construction, heavy duty cast aluminum manifolds; spark resistant housings, covers, impellers, muffler towers, and seals; Teflon lip seals; and explosion-proof motors. (IP44, 54, 55/Class 2/Group B/Div. 1)
- **BS (Bare Shaft) Series** - featuring the same explosion-proof construction as the E series with the added benefit of externally driven operation.
- **CC (Chemical Coated Regenerative) Series** - featuring E explosion-proof designs with chemically corrosion resistant treatments, chemical duty motors.

Advantages:

- Oil Free Air
- Low Noise Levels (64 – 88 db)
- Virtually Maintenance Free Operation
- Compact and efficient in electricity usage
- Trouble Free Installation (Can be mounted horizontally and vertically)
- Industrial Duty Bearings

Operational Performance:

Air Flow: 28 CFM up to 988 CFM

Pressure: 28" H2O up to 307" H2O

Vacuum: 40" H2O up to 236" H2O

Operational Principles:

The impeller rotates inside the blower housing pulling in air or gas through the impeller chamber (1) through the side channel (2) pulling it in through the inlet (3). The impeller accelerates the air or gas (4) until it is fully pressurized and discharged through the exhaust outlet (5).

Pacific Blowers has designed and manufactured regenerative blowers for a wide variety of applications, including:

- Wastewater Treatment Aeration
- Tank Aeration (Fish Pond Aeration)
- Soil Vapor Extraction
- Vacuum Lifting
- Gasoline Vapor Recovery
- Pneumatic Transport of Powders and Solids
- Groundwater Sparging
- Vacuum Hold Down
- Lagoon Gas Recovery
- Landfill Gas Evacuation and Collection
- General Parts Drying
- Material Handling





*Pacific Single Stage Regenerative Blowers*

Single Stage											
Phase	Model Number	KW	HP	Flow (cfm)	Max Pressure ("H2O)	Maximum Vacuum	Current (A) @ 230 V	Weight (lbs)	Sound Level (db)	Inlet Diameter	Curve Number
1	PB-101	0.4	0.50	50.00	47.00	40.00	4.5	31.00	64.00	1.25"	4H
	PB-201	0.75	1.00	102.00	47.00	44.00	6.5	46.00	66.00	1.5"	14H
	PB-301	1.5	2.00	141.00	71.00	63.00	11.5	73.00	75.00	2"	23H
	PB-401	2.2	3.00	141.00	110.00	79.00	15	78.00	75.00	2"	24H
3	PB-100	0.5	0.67	50.00	51.00	40.00	2.4	26.00	64.00	1.25"	4H
	PB-200	0.93	1.25	102.00	51.00	47.00	4.2	37.00	66.00	1.5"	12H
	PB-300	1.75	2.35	141.00	79.00	67.00	6.7	68.00	75.00	2"	20H
	PB-400	2.55	3.50	141.00	118.00	102.00	8.5	73.00	75.00	2"	21H
	PB-500	2.55	3.50	212.00	79.00	87.00	9.5	82.00	76.00	2"	30H
	PB-600	3.7	5.00	212.00	118.00	110.00	14	89.00	78.00	2"	31H
	PB-700	4.6	6.00	212.00	134.00	130.00	17	95.00	76.00	2"	32H
	PB-800	6.3	8.50	353.00	110.00	122.00	22	318.00	78.00	2.5"	80H
	PB-900	8.6	11.50	353.00	177.00	138.00	29	333.00	78.00	2.5"	81H
	PB-1000	11	15.00	353.00	248.00	158.00	40	366.00	78.00	2.5"	82H
	PB-1100	11	15.00	706.00	67.00	71.00	40	434.00	82.00	4"	100H
	PB-1200	15.3	20.00	706.00	106.00	114.00	54	476.00	82.00	4"	101H
	PB-1300	22.7	30.00	706.00	169.00	150.00	76	505.00	82.00	4"	102H

*Pacific Double Stage Regenerative Blowers*

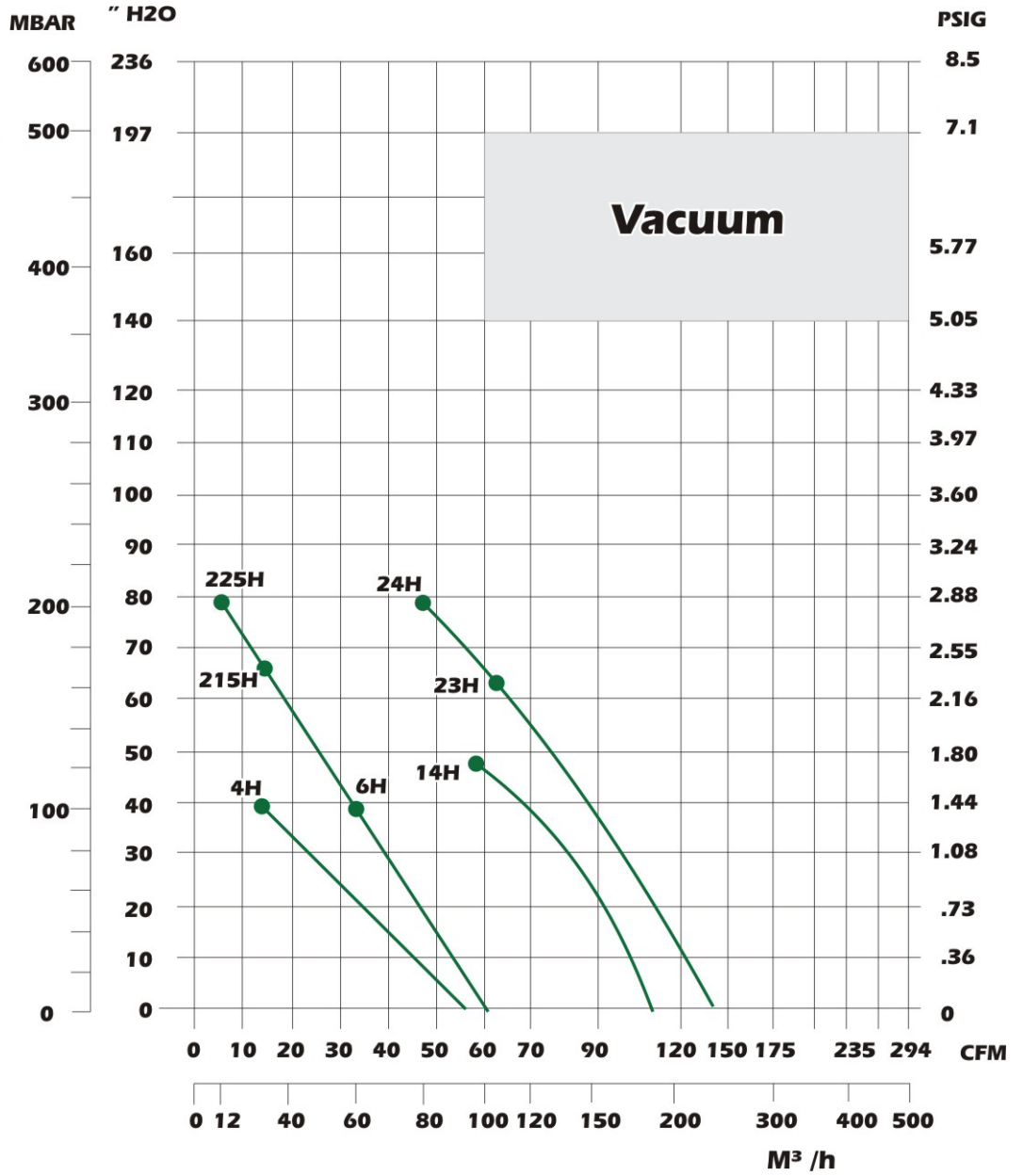
Double Stage											
Phase	Model Number	KW	HP	Flow (cfm)	Max Pressure ("H2O)	Maximum Vacuum	Current (A) @ 230 V	Weight (lbs)	Sound Level (db)	Inlet Diameter	Curve Number
1	PB-102/1	0.4	0.50	58.00	59.00	40.00	4.5	40.00	68.00	1.125"	6H
	PB-202/1	0.75	1.00	58.00	83.00	67.00	6.5	45.00	68.00	1.125"	215H
	PB-302/1	1.1	1.50	58.00	98.00	79.00	10	51.00	68.00	1.125"	225H
3	PB-102	0.5	0.67	58.00	59.00	40.00	2.4	34.00	68.00	1.125"	37H
	PB-202	0.89	1.20	58.00	98.00	80.00	4.2	36.00	68.00	1.125"	40H
	PB-302	1.5	2.00	58.00	118.00	87.00	5.9	43.00	68.00	1.125"	41H
	PB-402S	1.75	2.35	110.00	110.00	110.00	6.7	78.00	75.00	1.5"	49H
	PB-402	2.55	3.50	113.00	158.00	118.00	9.5	83.00	71.00	1.5"	50H
	PB-502	2.55	3.50	145.00	118.00	110.00	9.5	94.00	78.00	2"	59H
	PB-602	3.7	5.00	145.00	165.00	161.00	14	100.00	78.00	2"	60H
	PB-702	4.6	6.00	145.00	197.00	169.00	17	102.00	78.00	2"	61H
	PB-802	4.6	6.00	215.00	138.00	150.00	17	126.00	80.00	2"	72H
	PB-902	6.3	8.50	215.00	197.00	170.00	22	172.00	80.00	2"	73H
	PB-1002	8.6	11.50	215.00	256.00	177.00	29	188.00	80.00	2"	74H
	PB-1102	12.6	16.90	353.00	256.00	170.00	43	485.00	82.00	2.5"	91H
	PB-1202	17.3	23.20	353.00	307.00	181.00	59	501.00	82.00	2.5"	92H
	PB-1302	15.5	20.00	776.00	87.00	99.00	54	618.00	88.00	4"	111H
	PB-1402	18.5	25.00	776.00	118.00	134.00	65	651.00	88.00	4"	112H
PB-1502	26.8	35.00	776.00	189.00	189.00	82	684.00	88.00	4"	113H	
PB-1602	37	50.00	776.00	236.00	236.22	102	794.00	88.00	4"	114H	

The electric motors used in these blowers are AC motor equipped with self-cooling fans and rated as "F" class with IP54 protection. The above specifications may be changed without notice for improved product performance.



Vacuum Performance Curve

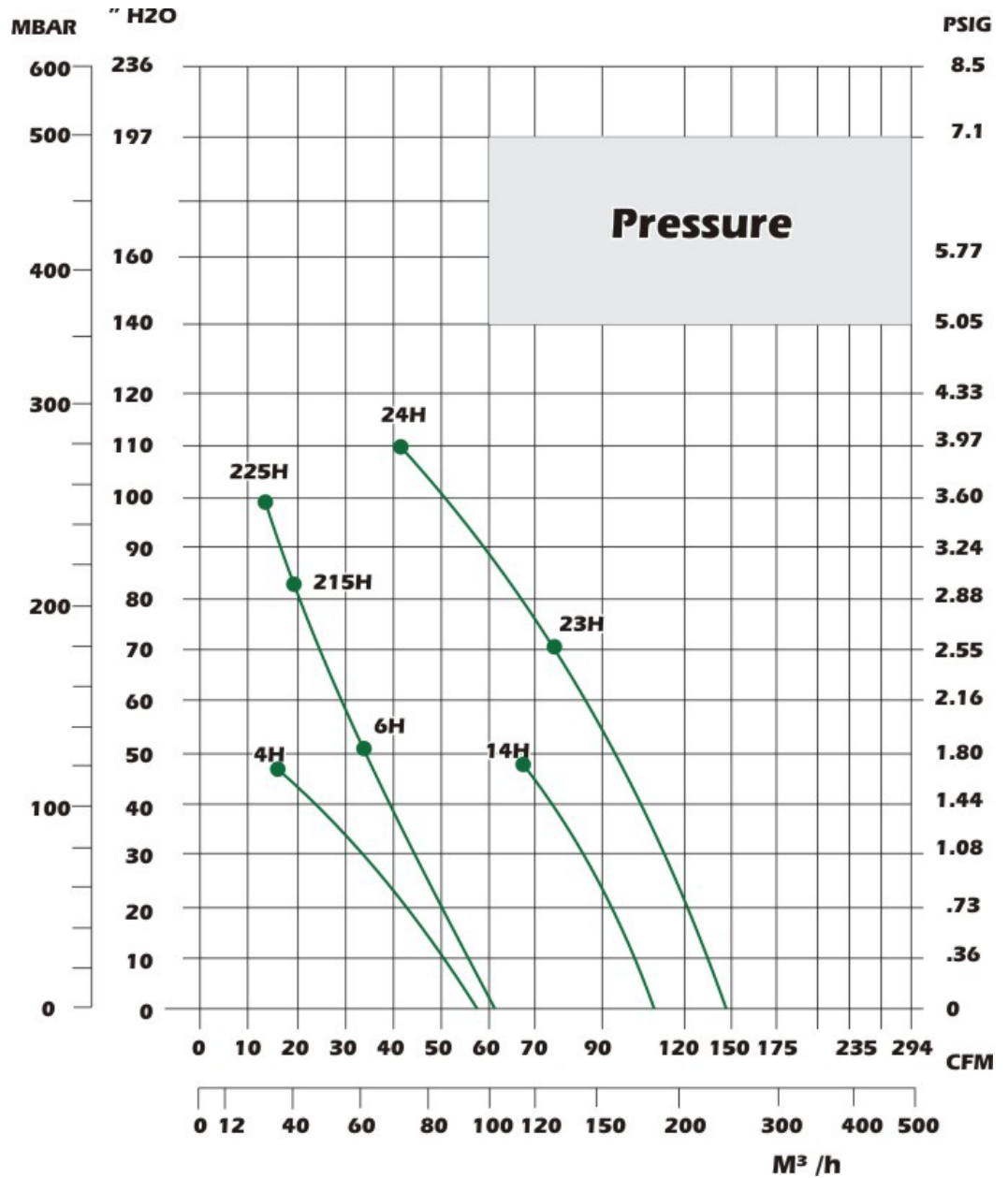
Single Phase





Pressure Performance Curve

Single Phase

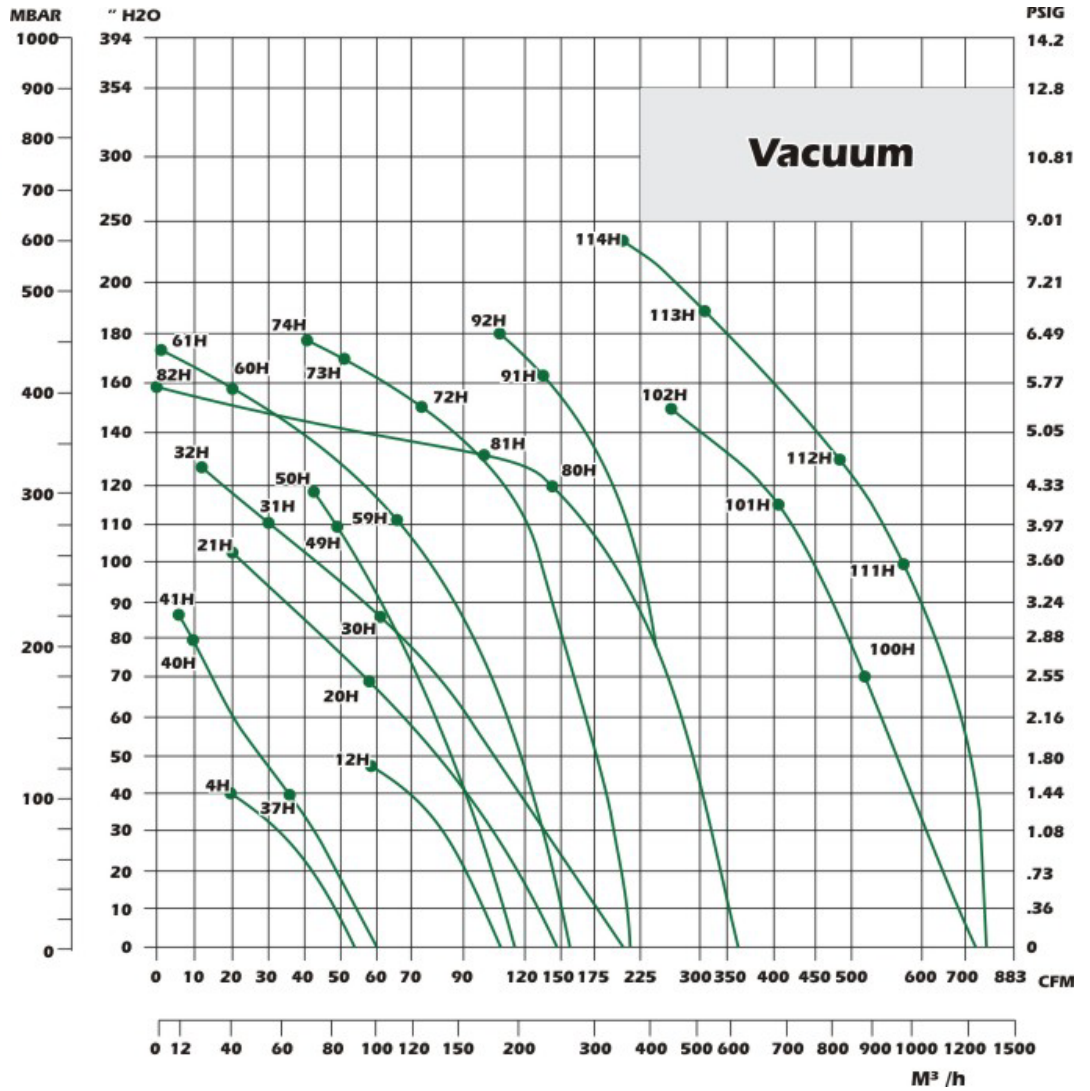


\*Performance for all blowers is 60Hz. Ask for information on 50Hz.



Vacuum Performance Curve

3 Phase

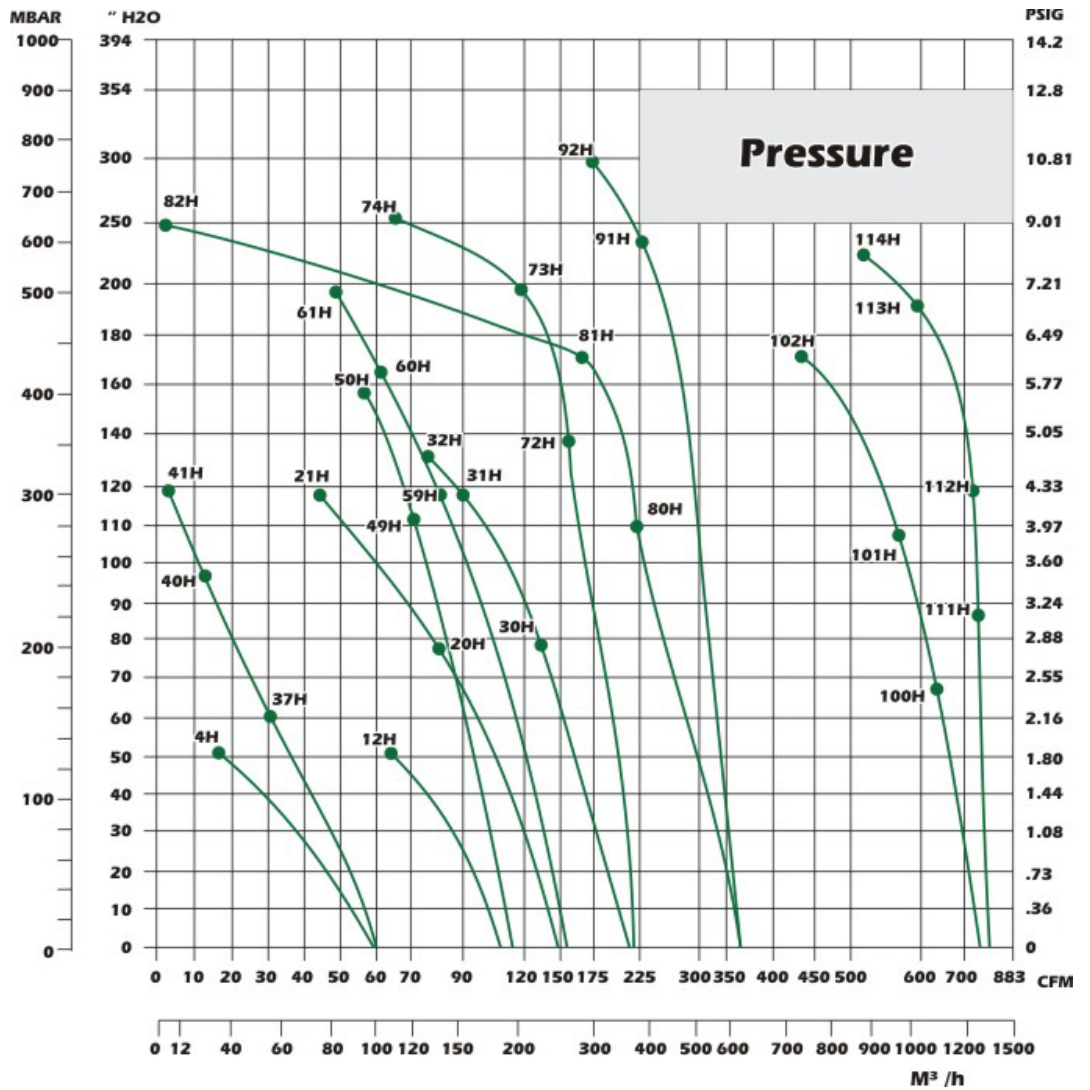






Pressure Performance Curve

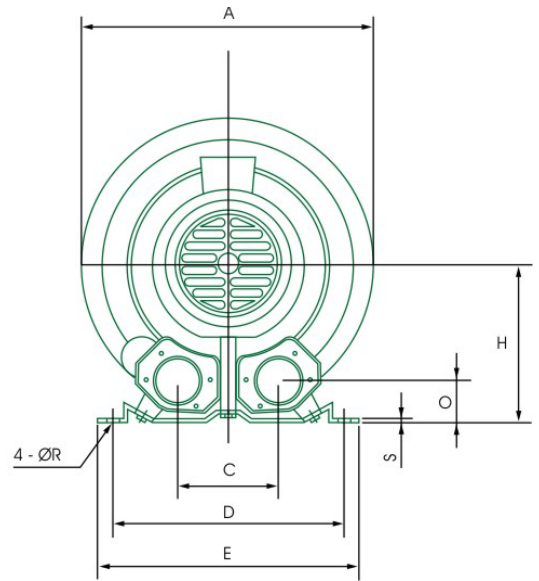
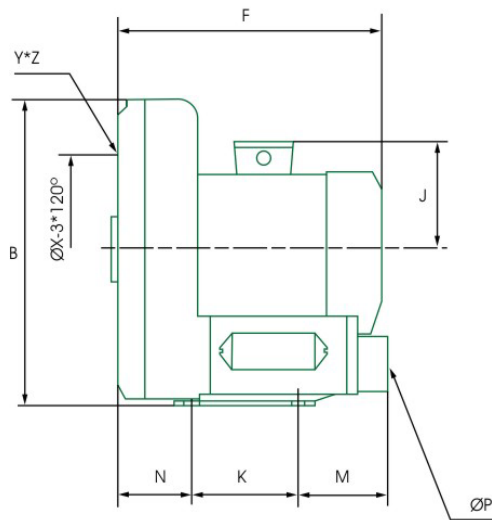
3 Phase



\*Performance for all blowers is 60Hz. Ask for information on 50Hz.



Single Stage



Model	KW	HP	A	B	C	D	E	F	H
PB-101	0.4	0.50	9.69	9.72	3.54	8.07	9.06	9.84	5.04
PB-201	0.75	1.00	11.22	11.89	4.53	8.86	10.04	11.45	6.1
PB-301	1.5	2.00	13.19	13.27	4.72	10.24	11.62	13.31	6.89
PB-401	2.2	3.00	13.19	13.27	4.72	10.24	11.62	14.09	6.89
PB-100	0.5	0.67	9.69	9.72	3.54	8.07	9.06	9.33	5.04
PB-200	0.93	1.25	11.22	11.89	4.53	8.86	10.04	10.63	6.1
PB-300	1.75	2.35	13.19	13.27	4.72	10.24	11.62	12.51	6.89
PB-400	2.55	3.50	13.19	13.27	4.72	10.24	11.62	13.31	6.89
PB-500	2.55	3.50	15.04	15.12	4.82	11.42	12.8	14.17	7.83
PB-600	3.7	5.00	15.04	15.12	4.82	11.42	12.8	14.96	7.83
PB-700	4.6	6.00	15.04	15.12	4.82	11.42	12.8	15.76	7.83

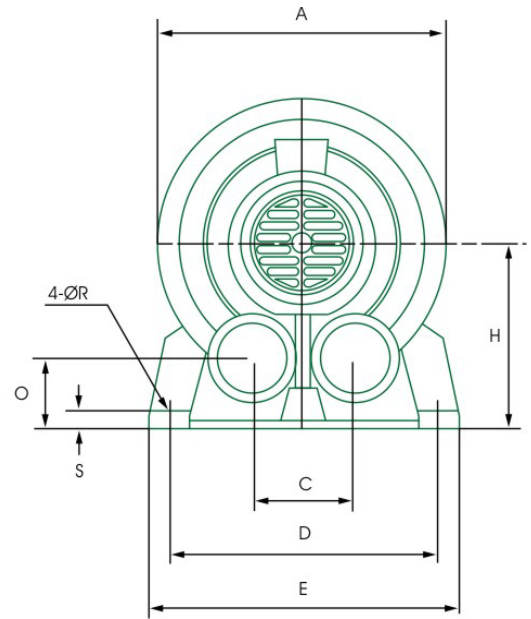
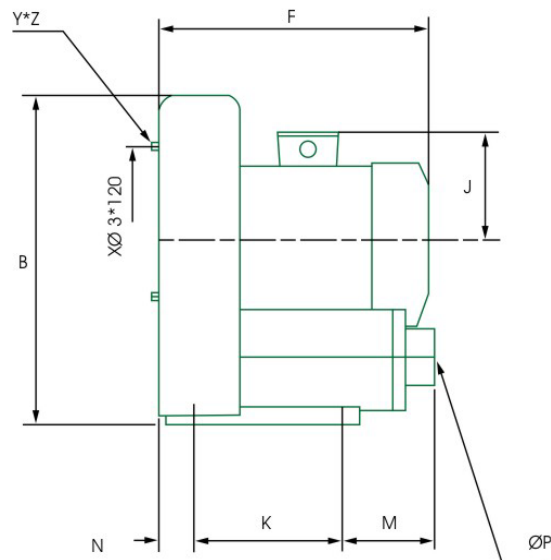
Model	J	K	M	N	O	ØP	ØR	S	X	Y*Z
PB-101	4.92	3.27	4.13	2.54	1.54	1.25	0.39	0.1	5.51	M6
PB-201	4.92	3.74	4.21	2.83	1.81	1.5	0.47	0.1	6.85	M6
PB-301	5.43	4.53	5	3.35	1.89	2	0.59	0.16	7.87	M8
PB-401	5.43	4.53	5	3.35	1.89	2	0.59	0.16	7.87	M8
PB-100	4.92	3.27	4.13	2.52	1.54	1.25	0.39	0.1	5.51	M6
PB-200	4.92	3.74	4.21	2.83	1.81	1.5	0.47	0.1	6.85	M6
PB-300	5.43	4.53	5	3.35	1.89	2	0.59	0.16	7.87	M8
PB-400	5.43	4.53	5	3.35	1.89	2	0.59	0.16	7.87	M8
PB-500	5.43	5.51	4.53	4.25	2.13	2	0.59	0.16	9.48	M10
PB-600	6.38	5.51	4.53	4.25	2.13	2	0.59	0.16	9.48	M10
PB-700	6.38	5.51	4.53	4.25	2.13	2	0.59	0.16	9.48	M10

All units in inches.



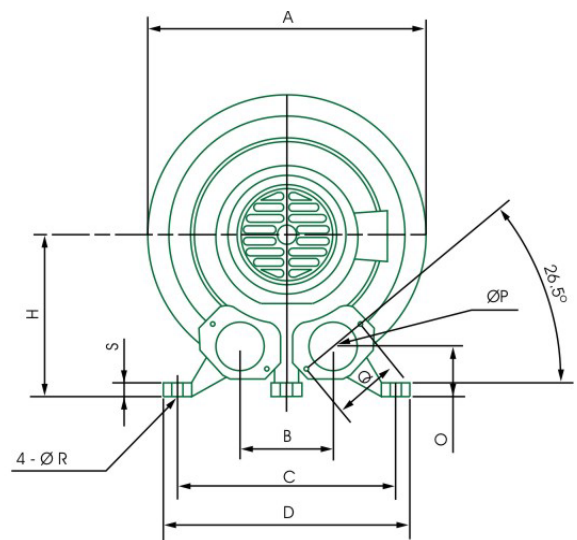
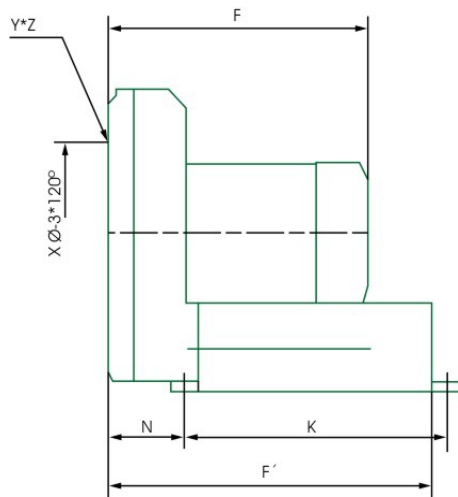


Single Stage



Model	KW	HP	A	B	C	D	E	F	H
PB-800	6.3	8.50	19.88	20.47	5.9	14.37	16.73	20.47	10.8
PB-900	8.6	11.50	19.88	20.47	5.9	14.37	16.73	20.87	10.8
PB-1000	11	15	19.88	20.47	7.5	14.37	16.63	24.61	10.75

Model	J	K	M	N	O	ØP	R	S	X	Y*Z
PB-800	7.08	11.41	7.28	0.67	3.54	2.5	0.59	1.02	10.06	M12
PB-900	7.08	11.41	7.28	0.67	3.54	2.5	0.59	1.02	10.06	M12
PB-1000	9.94	11.41	7.28	0.67	19.75	2.5/3	0.31	1.02	10.06	M12

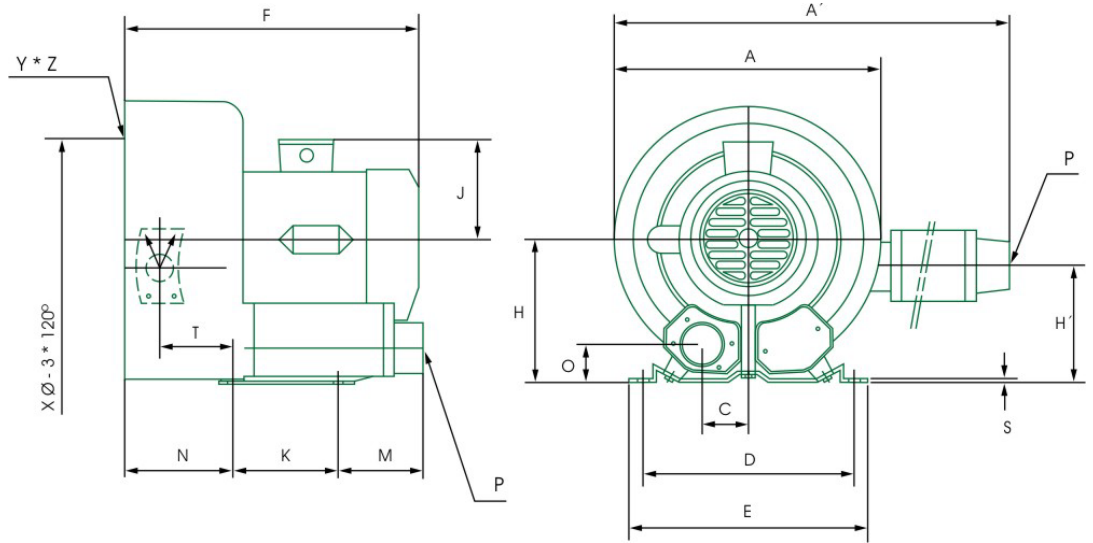


Model	KW	HP	A	B	C	D	F	F'	H
PB-1100	11	15.00	21.65	8.35	14.17	16.34	20.08	27.17	11.81
PB-1200	15.3	20.00	21.65	8.35	14.17	16.34	22.05	27.17	11.81
PB-1300	22.7	30.00	21.65	8.35	14.17	16.34	22.05	27.17	11.81

Model	K	N	O	ØP	Q	ØR	S	X	Y*Z
PB-1100	24.02	4.17	3.58	4	5.91	0.59	0.98	19.29	M12
PB-1200	24.02	4.17	3.58	4	5.91	0.59	0.98	19.29	M12
PB-1300	24.02	4.17	3.58	4	5.91	0.59	0.98	19.29	M12



Double Stage



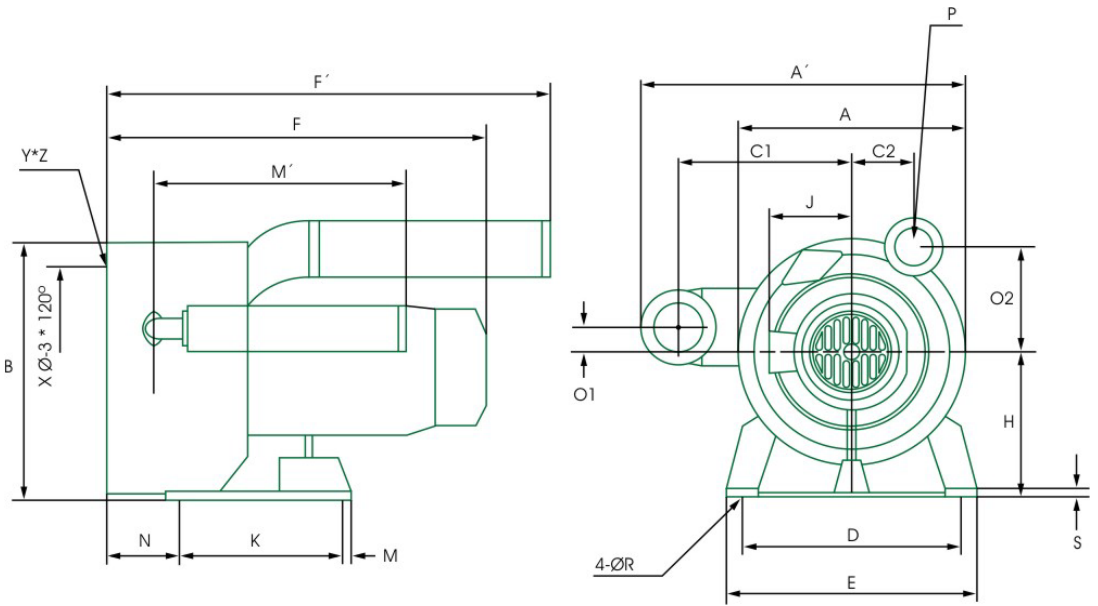
Model	KW	HP	A	A'	C	D	E	F	H	H'
PB-102/1	0.4	0.50	11.18	19.49	1.77	8.07	9.06	12.6	5.04	4.17
PB-202/1	0.75	1.00	11.18	19.49	1.77	8.07	9.06	14.06	5.04	4.17
PB-302/1	1.1	1.50	11.18	19.49	1.77	8.07	9.06	14.06	5.04	4.17
PB-102	0.5	0.67	11.18	19.49	1.77	8.07	9.06	12.09	5.04	4.17
PB-202	0.89	1.20	11.18	19.49	1.77	8.07	9.06	12.61	5.04	4.17
PB-302	1.5	2.00	11.18	19.49	1.77	8.07	9.06	14.06	5.04	4.17
PB-402S	1.75	2.35	12.64	20.39	2.26	8.86	10.04	16.3	6.06	6.06
PB-402	2.55	3.50	12.64	20.39	2.26	8.86	10.04	17.09	6.06	6.06
PB-502	2.55	3.50	14.57	24.56	2.36	10.24	11.61	16.93	6.89	5.79
PB-602	3.7	5.00	14.57	24.56	2.36	10.24	11.61	17.72	6.89	5.79
PB-702	4.6	6.00	14.57	24.56	2.36	10.24	11.61	18.5	6.89	5.79
PB-802	4.6	6.00	16.73	26.14	2.42	11.42	12.8	20.35	7.76	6.58
PB-902	6.3	8.50	16.73	26.14	2.42	11.42	12.8	22.05	7.76	6.58
PB-1002	8.6	11.50	16.73	26.14	2.42	11.42	12.8	22.83	7.76	6.58

Model	J	K	M	N	O	ØP	ØR	S	T	X	Y*Z
PB-102/1	4.92	3.27	4.21	5.12	3.5	1.25	0.39	0.1	3.46	5.51	M6
PB-202/1	4.92	3.27	4.21	5.12	3.5	1.25	0.39	0.1	3.46	5.51	M6
PB-302/1	4.92	3.27	4.21	5.12	3.5	1.25	0.39	0.1	3.46	5.51	M6
PB-102	4.92	3.27	4.22	5.12	3.5	1.25	0.39	0.1	3.46	5.51	M6
PB-202	4.92	3.27	4.22	5.12	3.5	1.25	0.39	0.1	3.46	5.51	M6
PB-302	4.92	3.27	4.22	5.12	3.5	1.25	0.39	0.1	3.46	5.51	M6
PB-402S	5.43	3.74	4.21	5.59	1.81	1.5	0.47	0.1	3.82	6.85	M6
PB-402	5.43	3.74	4.21	5.59	1.81	1.5	0.47	0.1	3.82	6.85	M6
PB-502	5.43	4.53	4.92	6.69	1.81	2	0.59	0.16	4.61	7.87	M8
PB-602	5.43	4.53	4.92	6.69	1.81	2	0.59	0.16	4.61	7.87	M8
PB-702	5.43	4.53	4.92	6.69	1.81	2	0.59	0.16	4.61	7.87	M8
PB-802	6.3	5.5	4.53	8.27	2.01	2	0.59	0.18	5.08	9.45	M10
PB-902	7.64	5.5	4.53	8.27	2.01	2	0.59	0.18	5.08	9.45	M10
PB-1002	7.64	5.5	4.53	8.27	2.01	2	0.59	0.18	5.08	9.45	M10

All units in inches.

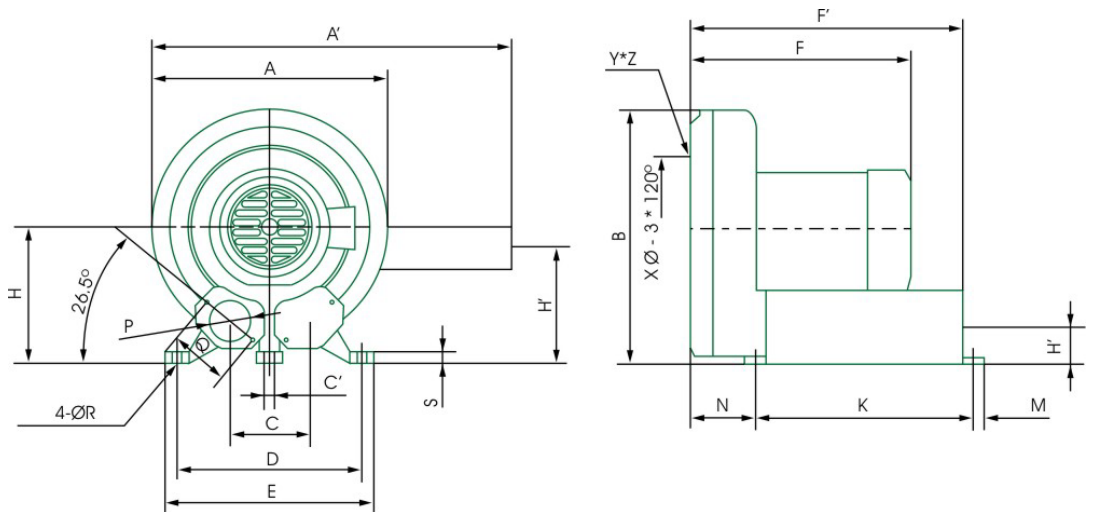


Double Stage



Model	KW	HP	A	A'	B	C	C'	C1	C2	D	E	F	F'	H	H'
PB-1102	12.6	16.90	19.88	25.2	20.47			12.52	2.87	14.37	16.54	24.02	23.43	10.43	
PB-1202	17.3	23.20	19.88	25.2	20.47			12.52	2.87	14.37	16.54	25.98	23.43	10.43	
PB-1302	15.5	20.00	21.65	42.13		8.35	0.59			14.17	16.33	27.36	33.07	11.81	9.65

Model	J	K	M	M'	N	O	O1	O2	ØP	Q	ØR	S	X	Y*Z
PB-1102	10.04	11.42	6.69	15.83			2.6	7.24	2.5		0.59	1.02	16.06	M12
PB-1202	10.04	11.42	6.69	15.83			2.6	7.24	2.5		0.59	1.02	16.06	M12
PB-1302	10.04	14.17	0.79		9.45	3.58			4	5.91	0.59	0.98	19.29	M12



Model	KW	HP	A	A'	C	C'	D	E	F	F'	H	H'
PB-1402	18.5	25.00	21.65	42.13	8.35	0.59	14.17	16.33	29.33	33.07	11.81	9.65
PB-1502	26.8	35.00	21.65	42.13	8.35	0.59	14.17	16.33	29.33	33.07	11.81	9.65
PB-1602	37	50.00	21.65	42.13	8.35	0.59	14.17	16.33	33.46	33.07	11.81	9.65

Model	J	K	M	N	O	ØP	Q	ØR	S	X	Y*Z
PB-1402	10.04	14.17	0.79	9.45	3.58	4	5.91	0.59	0.98	19.29	M12
PB-1502	10.04	14.17	0.79	9.45	3.58	4	5.91	0.59	0.98	19.29	M12
PB-1602	10.04	14.17	0.79	9.45	3.58	4	5.91	0.59	0.98	19.29	M12